

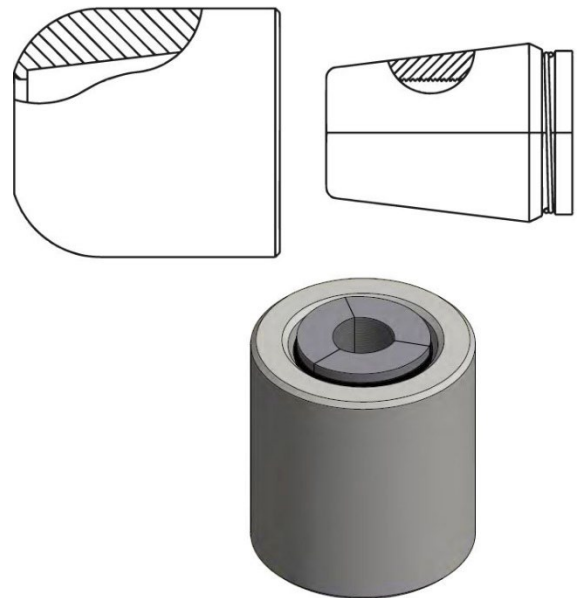
BARREL AND WEDGE ANCHOR

BLW

To suite	Product Code	Length mm	Diameter mm	Weight kg
15.2mm Cable	BLW15003R	45	42	0.40
17.8mm Cable	BLW17803R	58	50	0.74
21.3mm Cable	BLW21803D	63	56	0.98
23.5mm Cable	AFC-L1	60	56	0.75
28.0mm Cable	BLW2803D	70	65	1.40

Key Features

- Barrel and wedge anchors are used to secure roof plates on DSI Underground cable bolts. They provide positive support to the rock face at the collar of the hole.
- The barrel and wedge anchor can be used on one, two or multiple strand cable bolts in either bulbed or plain forms.
- Barrel and wedge anchors suit:
 - flat plates (for 15.2mm & 17.8mm cable)
 - domed plates (for 21.8mm, 23.5mm, and 28.0mm cables)
- The barrel and wedge anchor can be used to pre-stress cable bolts prior to grouting. They can also be fitted to grouted cable bolts to secure additional mesh or W strap.
- The wedge in the anchor has hardened serrations to provide a positive grip on the strand. Each wedge consists of three segments, secured by a ring to ensure wedge alignment and initial clamping.
- The barrel is manufactured from a toughened steel to resist splitting.
- Corrosion protection can be provided on the barrel only by hot dip galvanizing (AS/NZ4680), or zinc plated (AS1789).



Packaging

- Barrel and wedge anchors are packed in plastic tubs and cardboard boxes.

Typically used products with these items are:

	Products		
Product Group	Tensioner	Plate	Cable
Product Imagery			
Product Code Prefix	TEN	FCB	CBD

Notes

- Only DSI Underground rock bolt components should be used to enable the optimum performance of the bolt system to be obtained
- DSI Underground is Quality Assured to ISO 9001:2015, ISO 14001:2015 and AS-NZS 4801:2001

Phone APP

- Want to know more; our full product range, knowledge centre, and other details are available via the App; available on iOS and Android devices by searching “DSI Underground”.



iOS



Android