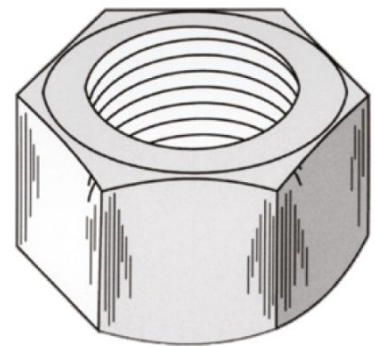


Bolt Thread	Height	Across Flats	Nett Weight	Quantity
	mm	mm	kg	Per Bag
M16x2.0mm pitch	20	36	0.14	15
M20x2.5mm pitch	25	36	0.12	200
M24x3.0mm pitch	24	36	0.12	200
M24x3.0mm pitch	30	36	0.16	150
20mm Threadbar	35	36	0.18	100
20mm Threadbar combo*	45	36	0.30	50
22.7mm Universal	33	36	0.16	150
M26 Flexibolt	33	36	0.14	150

The 20mm threadbar "combo" nut is a combination nut and dome ball.

Key Features

- All DSI Hexagonal Nuts exceed the physical requirements of AS 1112-1980.
- A special combined nut and dome ball (the nut and the dome washer have been pressed together) is also available for 20mm Threadbar Bolts.
- Nominal across flats (A/F) dimensions are standard on rock bolts having M24, M20 or M16 threads as well as specialty products such as 26mm Flexibolts, 24mm Solid Universal bolts and 20mm Threadbar bolts.
- All hexagonal nuts are heat treated to the equivalent of Grade 8.8.
- Corrosion protection may be provided by hot dip galvanizing, or zinc plated to AS1789



Notes

- DSI Underground is Quality Assured to ISO 9001:2015

Phone APP

- Want to know more; our full product range, knowledge centre, and other details are available via the App; available on iOS and Android devices by searching "DSI Underground".



iOS



Android