

Product Code Guide	Plastic Plate	Diameter
	PP	230

Physical Properties

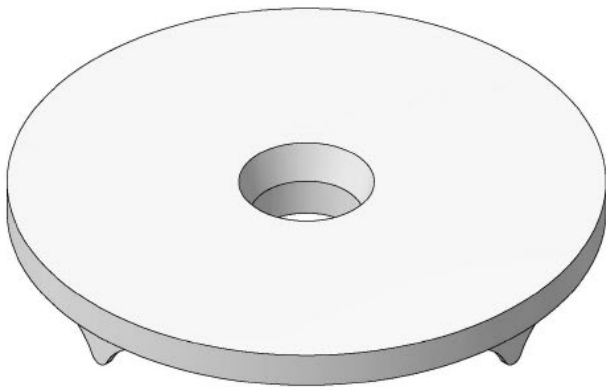
	Typical
Outside Diameter	230mm
Hole Diameter	Ø42.0mm
Weight	355gms
Specific Gravity	0.9-0.93
Ultimate Strength	40.0kN over 70mm Hole
Colour	Black
Material	High Density Polyethylene
Transport	Palletised 500 Pieces

Key Features

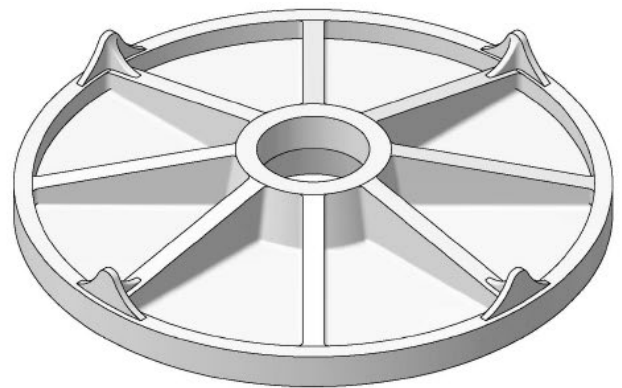
- Light weight and easy to handle.

Installation Guidelines

- Must be installed with flat surface side against strata surface for full strength.



Back View

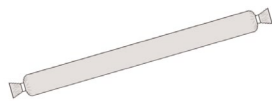
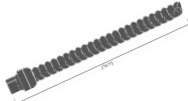



Top View

Product Accessories Examples

- DSI Underground manufactures a comprehensive range of products specifically designed for these Plates.

Typically, plates used are:

	Products		
Product Group	Resin	Dowel	Bolt
Product Imagery			
Product Code Prefix	RO	FGD	AX

Storage

- Must be stored out of direct sunlight.

Notes

- Only DSI Underground rock bolt components should be used to enable the optimum performance of the bolt system to be obtained.
- DSI Underground is Quality Assured to ISO 9001:2015

Phone APP

- Want to know more; our full product range, knowledge centre, and other details are available via the App; available on iOS and Android devices by searching “DSI Underground”.



iOS



Android