

Product Code Guide	Brand	Diameter	Colour	Profile	Accessory
	PP	230	B/-	R	ESP

## Physical Properties

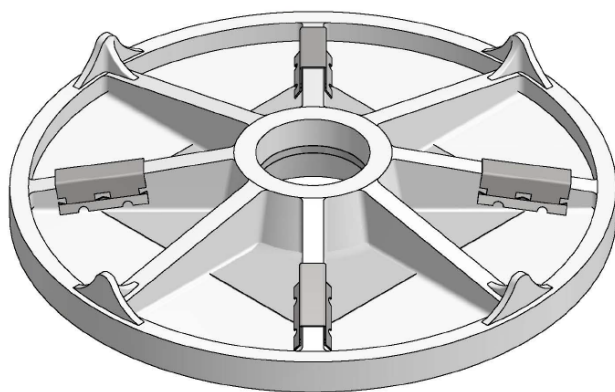
	Typical
Outside Diameter	230mm
Hole Diameter	Ø42.0mm
Weight	550gms
Steel Plate Dimensions	120 x 120 x 2.5mm
Ultimate Strength	55.7kN over 70mm Hole
Colour	Black
Material	High Density Polyethylene

## Key Features

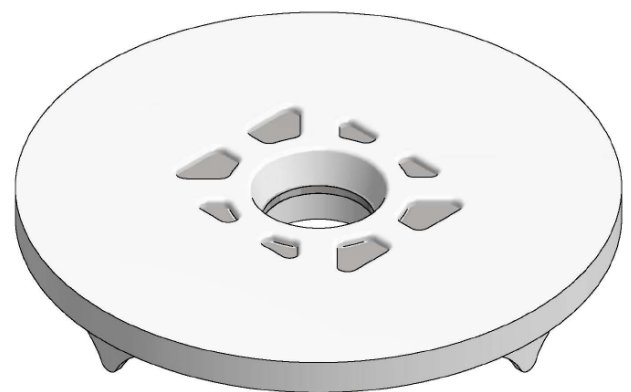
- The enclosed steel plate provides a “tramp iron” element for magnetic separator systems.
- Provides additional tensile strength over standard plastic plates.
- The plates are negatively buoyant in water.
- Plates can be supplied in black only

## Installation Guidelines

- Must be installed with flat surface side against strata for full strength.



Top View



Back View



# PLASTIC WASHER PLATE

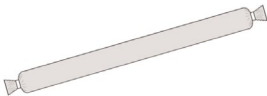
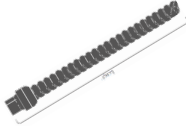



Enclosed Steel Plate

## Product Accessories Examples

- DSI Underground manufactures a comprehensive range of products specifically designed for these plates.

Typically, plates used are:

	Products		
Product Group	Resin	Dowel	Bolt
Product Imagery			
Product Code Prefix	RO	FGD	AX

## Storage

- Must be stored out of direct sunlight.

## Notes

- Only DSI Underground rock bolt components should be used to enable the optimum performance of the bolt system to be obtained.
- DSI Underground is Quality Assured to ISO 9001:2015

## Phone APP

- Want to know more; our full product range, knowledge centre, and other details are available via the App; available on iOS and Android devices by searching "DSI Underground".



iOS



Android